



地址：郑州荥阳汜水工业区 (450141)  
Add: YUMING INDUSTRIAL PARK, XINGYANG CITY, ZHENGZHOU HENAN CHINA  
Tel: +8618838296432  
Fax: 0371-64892666  
E-mail: [yuming@ym-valves.com](mailto:yuming@ym-valves.com)  
[sales@ym-valves.com](mailto:sales@ym-valves.com)

WEB: [www.yuming-valves.com](http://www.yuming-valves.com)  
[www.ym-valves.com](http://www.ym-valves.com)

FOR MORE INFORMATION ABOUT OUR TECHNOLOGY,  
PLEASE VISIT HERE [www.yuming-valves.com](http://www.yuming-valves.com)



宇明阀门集团  
YUMING VALVE GROUP

Harbor the world a Better Tomorrow

— Warmly celebrate the 50th anniversary of Yuming valve group —

中国驰名商标  
China Well-known Trademark



## 企业简介

# Company Profile

宇明阀门集团有限公司位于“中国阀门之乡”荥阳，北临黄河，毗邻S314省道，连霍高速、陇海铁路，交通便利，物流发达。公司始建于1972年，工业园区占地面积82000平方米。现有员工500余人，各类专业技术人员80余人，注册资金1亿元。已成为集研发、制造、销售于一体的专业阀门制造商。

2021年，宇明阀门出口营业额突破2000万美元；2022年，宇明阀门出口营业额突破2500万美元，并试图在未来做的更好。在2021年新增两条生产线，主要生产大型工程类阀门(DN4000以下)；并在2021年底投资郑州一阀流体科技有限公司，拥有生产设备600多台，其中机加工、试验机、测量设备300多台，操作人员约400多人，我们拥有多年的阀门制造经验，并且拥有最专业的团队。我们想强调的是，在宇明的研发部门有6名高级工程师和12名相关的主要工程师帮助CAD绘图和技术支持，另外4名专家在QC部门。

除了优秀的生产团队，宇明阀门还拥有全面的销售管理，与全球客户打交道。95%的营业额来自出口俄罗斯、阿根廷、菲律宾、越南、印度尼西亚、哥伦比亚、智利、瑞典、挪威、比利时、法国、德国、罗马尼亚、意大利、西班牙、土耳其、以色列、伊朗、埃及、南非、澳大利亚、马来西亚、泰国、新加坡、美国、香港、台湾和韩国，与中外朋友合作共赢，建立了牢固的合作关系，同时更结下了深厚的情谊，为宇明阀门的发展注入了持久的活力。

选择“宇明”，选择“信任”。

Yuming Valve Group Co., Ltd. is located in Xingyang, the "Hometown of Valves in China", facing the Yellow River to the north, adjacent to S314 Provincial Highway, Lianhuo Expressway and Longhai Railway, with convenient transportation and developed logistics. The company was founded in 1972, and the industrial park covers an area of 82,000 square meters. There are more than 500 employees, more than 80 professional and technical personnel of various types, and a registered capital of 100 million yuan. It has become a professional valve manufacturer integrating R&D, manufacturing and sales.

2021, Yuming valve export turnover exceeded 20 million US dollars. In 2022, Yuming valve export turnover exceeded 25 million US dollars, and is trying to do more in the future. In 2021, two new production lines has added, mainly producing bigger size(up to DN4000) engineering valves; and at the end of 2021, we invested in Zhengzhou Yiva Fluid Technology Co., Ltd., and we have more than 600 production facilities, including more than 300 machining, testing machines, and measuring equipment. about 400 operators, we have many years of valve manufacturing experience, and have the most professional team. We would like to emphasize that there are 6 senior engineers and 12 related main engineers in Yuming's R&D department to help with CAD drawing and technical support, and the other 4 experts are in the QC department ,

In addition to an excellent production team, Yuming Valve also has a comprehensive sales management to deal with global customers. And 95% of the turnover comes from exports to Russia, Argentina, the Philippines, Vietnam, Indonesia, Colombia, Peru, Chile, Sweden, Norway, Belgium, France, Germany, Romania, Italy, Spain, Turkey, Israel, Iran, Egypt, South Africa, Australia , Malaysia, Thailand, Singapore, the United States, Hong Kong, Taiwan and South Korea, and win-win cooperation with Chinese and foreign friends, established a deep cooperative relationship, and at the same time forged a stronger friendship, which injected lasting vitality into the development of Yuming.

Select "Yuming", select "Trust"

YUMING VALVE GROUP

Expert in Industry Fluid System Control

## 企业资质

# Enterprise Qualification

企业获得的资质和荣誉，是对宇明集团过去取得成绩的肯定，也是对宇明集团创造明日辉煌的鼓舞和鞭策！向新的台阶迈进，是宇明人顽强拼搏，永远追求的信念！

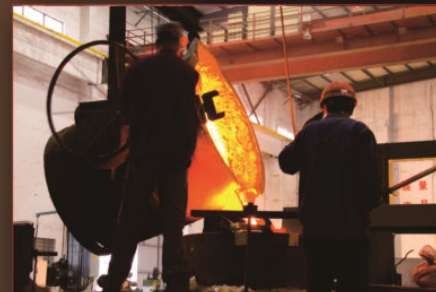
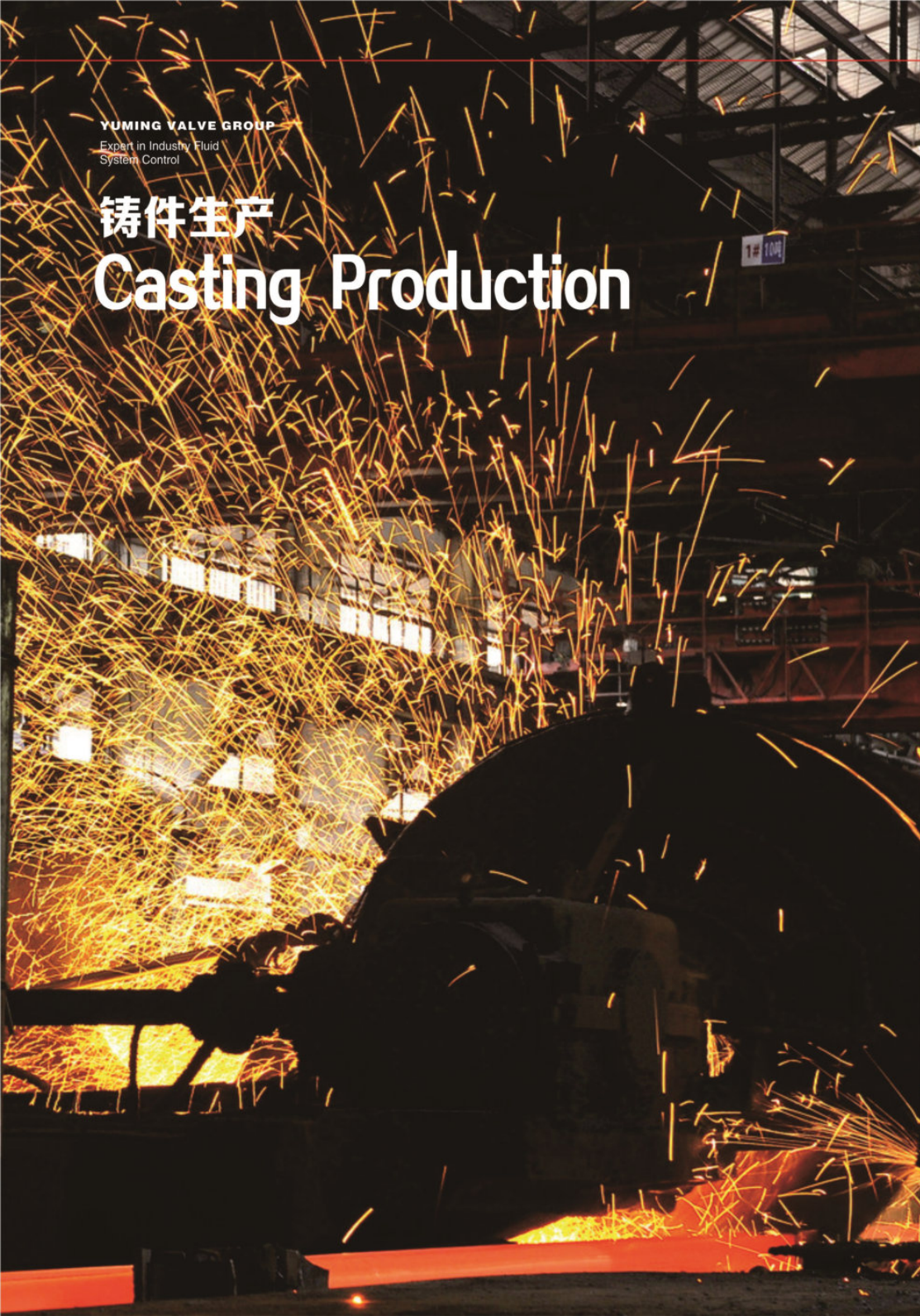
Qualifications and honors obtained by the enterprise, It is an affirmation of Yuming Group's achievements in the past, It is also an encouragement and spur to Yuming Group to create a brilliant tomorrow! to a new level,



YUMING VALVE GROUP

Expert in Industry Fluid  
System Control

# 铸件生产 Casting Production



YUMING VALVE GROUP

Expert in Industry Fluid  
System Control

# 生产装备 Production equipment

拥有铸造、加工、焊接、热处理等先进的加工设备和专业化的生产车间，不断完善产品加工工艺，严格控制产品制造的每一道工序、每一个环节，精益求精，确保宇明阀门的优良品质。

It has advanced processing equipment such as casting, machining, welding, heat treatment, and specialized production workshops, constantly improves product processing technology, strictly controls every process and every link of product manufacturing, and strives for excellence to ensure the excellent quality of Yuming valves.



YUMING VALVE GROUP

Expert in Industry Fluid  
System Control

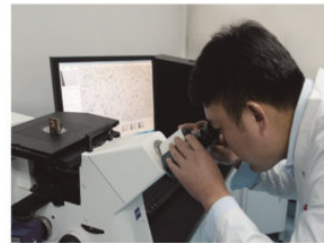
# 检测中心 Test Center



• 冲击试验机  
Impact testing machine

为了提供高品质产品，公司配置了先进的检测设备以及完善的检测手段，建立了一支严格要求的品质管理队伍，实现了从原材料检测，生产过程检测，产品及应用全过程的质量控制。

In order to improve the quality of products, The company is equipped with advanced testing equipment and perfect testing methods, Established a strict quality management team, Realized from the detection of raw materials, production process testing, Quality control of the whole process of products and applications.



• 金相分析仪  
Metallographic Analyzer



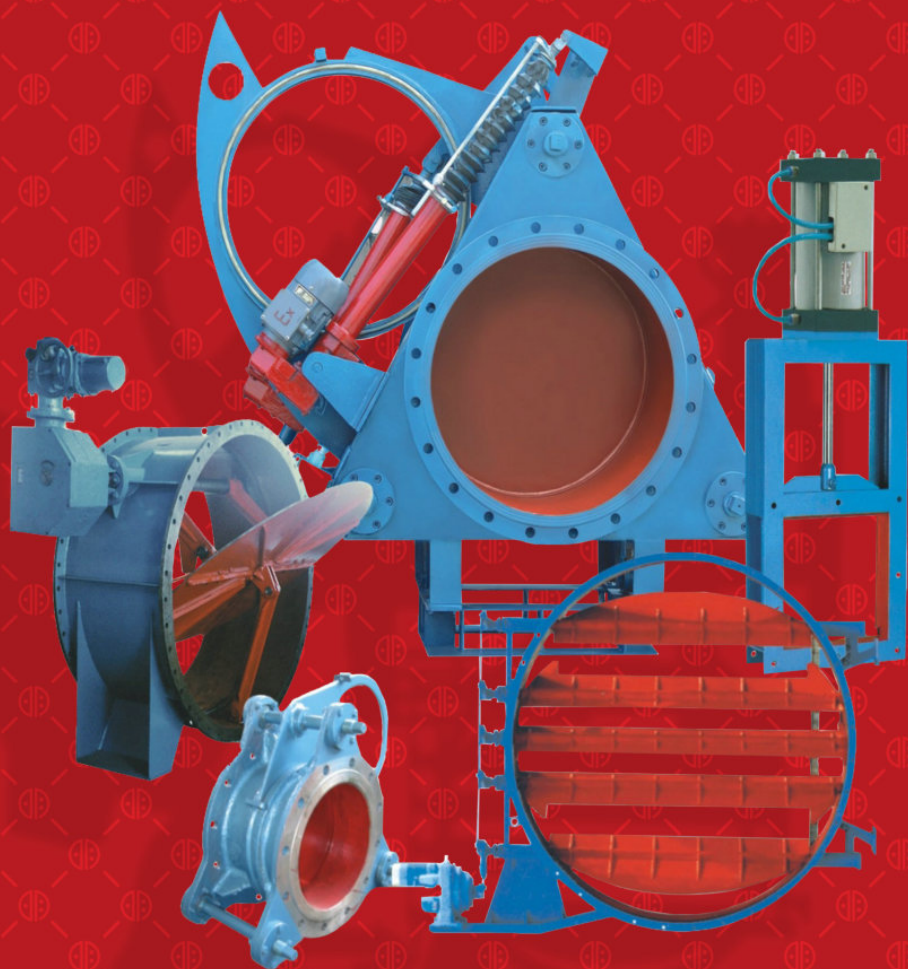
• 直读光谱仪  
Direct Reading Spectrometer



• 试样制备机  
Sample preparation machine

# 冶金阀

# Metallurgical valve



## Metallurgical valve series

Round, square electric (hand) multi-leaf butterfly valve.....	01
Round electric (hand) multi-leaf butterfly valve.....	02
Square electric (hand) multi-leaf butterfly valve.....	03
Square electric (gas, hand) butterfly valve.....	04
Electric (hand) multi-leaf butterfly valve (fan specific).....	05-07
Manually fan-shaped blind plate valve.....	08-12
Automatically fan-shaped blind plate valve.....	13
Electric fan-shaped blind plate valve.....	14
Dust collector relief valves.....	15-16
Single and double spiral gate.....	17
Single and double opening and closing ash discharge valve.....	18
Regulating control valve.....	19

## 冶金阀系列

# Metallurgical valve series

Metallurgical valve series These products have high temperature resistance, compact structure, convenient and flexible operation.

At the same time, these products are also equipped with electric, manual, pneumatic, hydraulic and other actuators, and can also implement automatic adjustment or quick cutting of long distance and short distances, and are suitable for media such as powder materials, air, steam, and toxic gases.



## 圆形、方形电（手）动多叶蝶阀

Round, square electric (hand) multi-leaf butterfly valve

FZKJWdy/ZKJWdy/ZDTWdy/SWdy-1

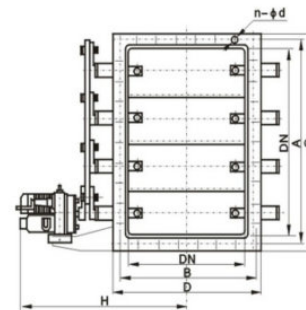
### 结构特点及用途/Structural features and uses:

本阀是我厂与科研单位共同开发的新产品，并通过了国家级鉴定，是调节和启闭空气、烟气、灰尘及可燃性气体的可靠设备，本阀可与各种执行机构配套组合成不同性能的阀门，叶片多、噪声小、重量轻、操作力矩小、流通能力大、操作方便、价格便宜，特别适用与大口径、大流量、低压差场合，广泛应用与冶金、矿山、建材、化工、电站等工业部门。

This valve is my field and scientific research units to develop new products, and passed the national appraisal, is to regulate and opening and closing air, flue gas, dust and combustible gases and reliable equipment, this valve can be combined with various actuators into different performance of the valve, blade, low noise, light weight, small operation torque, flow capacity is big, easy to operate, cheap price, Especially suitable for large diameter, large flow, low pressure difference occasions, widely used in metallurgy, mining, building materials, chemical, power station and other industrial sectors.

### 主要性能/Main performance:

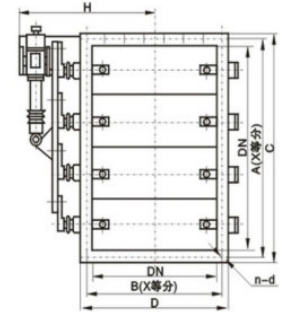
- 公称压力: 0.1MPa
- 适用温度: -20~300°C
- 泄漏率: 普通型≤3% 低泄漏率: ≤1%
- 适用介质: 空气、烟气、含粉尘气体、可燃性气体
- 电源电压: 220V或380V.AC
- 输入信号: 0-10 (4-20) mA.DC或开关量信号
- Nominal pressure: 0.1mpa
- Applicable temperature: -20~300°C
- Leakage rate: normal type ≤ 3% low leakage rate ≤ 1%
- Applicable medium: air, flue gas, dust gas, combustible gas
- Power supply voltage: 220V or 380V.AC
- Input signal: 0-10 (4-20) mA.DC or switching signal



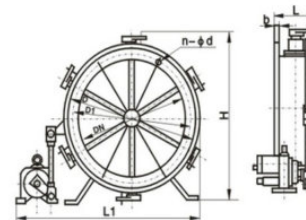
FZKJWdy型电动多叶蝶阀  
FZKJWdy electric multi-leaf butterfly valve



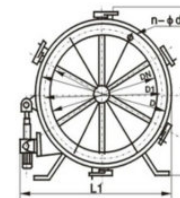
FSWdy型手动多叶蝶阀  
FSWdy manual multi-leaf butterfly valve



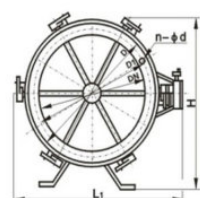
FZDTWdy型电动多叶蝶阀  
FZDTWdy electric multi-leaf butterfly valve



ZKJWdy型电动多叶蝶阀  
ZKJWdy electric multi-leaf butterfly valve



ZDTWdy型电动多叶蝶阀  
ZDTWdy electric multi-leaf butterfly valve



SWdy型手动多叶蝶阀  
SWdy manual multi-leaf butterfly valve



外形及连接尺寸表/Outline and connection dimension table:

DN	500	600	700	800	900	100	1200	1400	1600	1800	2000	2200	2400	2600	2800	3000		
D	640	755	860	975	1075	1175	1375	1575	1790	1990	2190	2405	2605	2805	3030	3230		
D <sub>1</sub>	600	705	810	920	1020	1120	1320	152	1730	1930	2130	2340	2540	2740	2960	3160		
H	890	1020	1110	1240	1340	1440	1660	1860	2060	2260	2500	2700	2900	3100	3330	3530		
N-φd	20-φ22	20-φ26	24-φ26	24-φ30	28-φ30	32-φ30	36-φ30	40-φ30	44-φ30	48-φ30	52-φ33	56-φ33	60-φ33	64-φ36	68-φ36			
L	300			350			400			500								
b	18			20			24			28								
叶片数	3片			5片			7片			9片			11片			15片		
重量 (kg)	196	210	230	350	490	560	620	810	1010	1600	2050	2300	2500	2900	3100	3400		
ZKJWdy	L1	1100	1210	1380	1480	1580	1675	1895	2145	2345	2545	2745	3125	3325	3525	3740	3940	
	配执行器	ZKJ-210		ZKJ-310		ZKJ-410		ZKJ-510		ZKJ-610		ZKJ-710						
ZDTWdy	L1	970	1080	120	1320	1530	1630	1840	2065	2270	2465	2680	2965	3165	3365	3565	3765	
	配执行器	DT II 10020M		DT II 10040M		DT II 30050M		DT II 50050M		DT II 10060M								
SWdy	L1	900	1000	1150	1200	1410	1510	1710	1940	2145	2345	2545	2845	3000	3400	3400	3600	
	配执行器	S-01		S-02		S-03		S-04		S-05		S-06						

注:

1. 本阀与上述配电动执行器组合外, 还可与其它电动、气动、液动、电液动执行器组合使用。
2. 有关执行器原理、接线图、技术参数见“附录”。
3. 本阀可按用户要求制造 (非水平安装时, 请注明夹角)。
4. 阀门整机质量为阀体质量+执行器质量。
5. 需附件请在合同中注明 (如伺服放大器、电动操作器、控制箱、始点位置开关)。
6. 订货时请注明: 产品名称、型号、规格、输入信号、泄漏率。

Note:

1. This valve can be used in combination with other electric, pneumatic, hydraulic and electro-hydraulic actuators in addition to the above-mentioned electric actuators.
2. See "Appendix" for the principle, wiring diagram and technical parameters of the actuator.
3. The valve can be manufactured according to user requirements (please indicate the included angle when it is not installed horizontally).
4. The quality of the whole valve is the quality of the valve body + the quality of the actuator.
5. Please note in the contract if you need accessories (such as servo amplifier, electric operator, control box, start position switch).
6. Please specify when ordering: product name, model, specification, input signal, leak rate.

外形及连接尺寸表/Outline and connection dimension table:

DN×DN	A×B	C×D	H	N-φd	b	L	叶片数	重量 (kg)	FZDTWdy		FZKJWdy	FSWdy
									配电动推杆型号	功率	配电动执行器型号	配手动装置型号
500×400	565×465	600×500	507	8-φ17	14	190	2片	201	DT II 100-20M	0.37KW	ZKJ-210	S-01
500×500	565×565	600×600	557	20-φ17			210					
630×400	710×480	750×520	517	20-φ17			247					
630×500	710×580	750×620	567	22-φ17			255					
630×630	710×710	750×750	632	24-φ17			260					
800×500	880×580	920×620	567	24-φ17			3片	351	DT II 100-30M	0.37KW	ZKJ-310	S-02
800×630	880×710	920×620	632	26-φ19			366					
800×800	880×880	920×920	717	28-φ19			375					
990×715	1070×795	1110×835	674	28-φ19			555					
1000×630	1080×710	1120×750	632	28-φ19			551					
1000×800	1080×880	1120×920	717	30-φ19			565					
1000×1000	1080×1080	1120×1120	817	32-φ19			640					
1250×800	1330×880	1370×920	717	34-φ19			4片	680	DT II 250-30M	0.55KW	ZKJ-410	S-03
1250×1000	1330×1080	1370×1120	817	36-φ19			710					
1250×1250	1330×1330	1370×1370	942	40-φ19			810					
1500×1500	1595×1595	1640×1640	1077	48-φ19			1030					
1600×1000	1695×1095	1740×1140	827	42-φ19			970					
1600×1250	1695×1345	1740×1390	995	46-φ19			996					
1600×1600	1695×1695	1740×1740	1170	52-φ19			1240	DT II 630-30M	0.75KW	ZKJ-510	S-04	
1620×1170	1715×1265	1760×1310	955	44-φ19			990					
2000×1250	2095×1345	2140×1390	955	52-φ22			2360					
2000×1600	2095×1695	2140×1740	1170	28-φ22			2800					
2000×2000	2095×2095	2140×2140	1370	64-φ22			3030					
2500×1600	2600×1700	2650×1750	1175	66-φ22			2800	DT II 630-40M	0.75KW	ZKJ-610	S-05	
2500×2000	2600×2100	2650×2150	1445	72-φ22			3010					
2500×2500	2600×2600	2650×2650	1695	76-φ22			3640					
3000×2000	3100×2100	3150×2150	1445	78-φ22			3620	DT II 1000-40M	1.1KW	ZKJ-710	S-06	
3000×2500	3100×2600	3150×2650	1695	84-φ22			4030					
3000×3000	3100×3100	3150×3150	1945	92-φ22			4150					

注:

1. 本阀与上述配电动执行器组合外, 还可与其它电动、气动、液动、电液动执行器组合使用。
2. 有关执行器原理、接线图、技术参数见“附录”。
3. 本阀可按用户要求制造 (非水平安装时, 请注明夹角)。
4. 阀门整机质量为阀体质量+执行器质量。
5. 需附件请在合同中注明 (如伺服放大器、电动操作器、控制箱、始点位置开关)。
6. 订货时请注明: 产品名称、型号、规格、输入信号、泄漏率。

Note:

1. The valve can be combined with other electric, pneumatic, hydraulic and electro-hydraulic actuators in addition to the combination with the above-mentioned electric actuators.
2. See "Attached view" for the principle, wiring diagram and technical parameters of the actuator.
3. The valve can be manufactured according to user requirements (non horizontal installation, please indicate the included Angle).
4. The quality of the valve body quality + actuator quality.
5. waxes accessories please note in the contract (such as service amplifier, electric operator, control box, starting point position switch).
6. when ordering, please indicate: product name, model, specification, input signal, leakage rate.

外形及连接尺寸表/Outline and connection dimension table:

口径	A3×B3	A2×B2	b	N-φd	L	FD9,41-1				重量 (kg)	
						L1	执行器	执行器	执行器		执行器
A1×B1	240×200	210×170	10	8-φ12	140	390	DKJ-210	Dt II 6320-M	QGB II-D 63×120	S-01	85
160×120	280×200	250×170				390					95
200×120	330×200	300×170				390					103
250×120	280×240	250×210				430					101
200×160	330×240	300×210				430					108
250×160	330×280	300×250			470	110					
250×200	400×240	370×210			430	135					
320×160	400×280	370×250			470	140					
320×200	400×330	370×300			520	145					
320×250	500×300	465×265			470	151					
400×200	500×350	465×315	520	159							
400×320	500×420	465×385	590	166							
500×200	600×300	565×265	16	12-φ15	190	500	DKJ-310	Dt II 10020-M	QGB II-D 100×160	S-02	175
500×250	600×350	565×315				550					181
500×320	600×420	565×385				620					192
500×400	600×500	565×465				700					201
630×250	750×370	710×330				550					230
630×320	750×440	710×400			620	238					
630×400	750×520	710×400			700	247					
630×500	750×620	710×580			800	255					
800×320	920×440	880×400			620	342					
800×400	920×520	880×480			700	350					
800×500	920×620	880×580	800	351							
800×630	920×750	880×710	930	366							
1000×320	1120×440	1080×400	18	16-φ17	210	620	DKJ-410	Dt II 630 20-M	QGB II-D 100×160	S-03	513
1000×400	1120×520	1080×480				700					527
1000×500	1120×620	1080×580				880					539
1000×630	1120×750	1080×710				1010					551
1000×800	1120×920	1080×880				1180					565
1250×400	1370×520	1330×480			700	628					
1250×500	1370×620	1330×580			880	643					
1250×630	1370×750	1330×710			1010	665					
1250×800	1370×920	1330×880			1180	681					
1250×1000	1370×1120	1330×1080			1380	710					
1600×500	1740×640	1695×595	22	22-φ17	250	940	DKJ-510	Dt II 630 50-M	QGB II-D 130×250	S-04	929
1600×630	1740×770	1695×725				1070					945
1600×800	1740×940	1695×895				1240					974
1600×1250	1740×1390	1695×1345				1690					996
2000×800	2140×940	2095×895				1430					1982
2000×1000	2140×1140	2095×1095			1630	2015					
2000×1250	2140×1390	2095×1345			1880	2088					
2500×1600	2140×1740	2095×1695			2230	2210					
2500×1250	2650×1400	2600×1350			1880	2360					
2500×1600	2650×1750	2600×1700			2230	2800					
3000×2000	2650×2150	2600×2100	28	40-φ22	400	2630	DKJ-710	Dt II 10000 40-M	QGB II-D 250×250	S-06	3010
3000×1600	3150×1750	3100×1700				2530					3430
3000×2000	3150×2150	3100×2100				2930					3620
3000×2500	3150×2650	3100×2600			3430	4010					

注：  
1、本阀与上述配电动执行器组合外，还可与其它电动、气动、液动、电液动执行器组合使用。2、有关执行器原理、接线图、技术参数见“附录”。3、本词可按用户要求制造（非水平安装时，请在合同中注明夹角）。4、整机质量为阀体质量+执行器质量。5、需附件请在合同中注明（操作器、同服放大器、控制箱、电磁词、空气过滤减压器）。

Note:  
1. This valve can be used in combination with other electric, pneumatic, hydraulic and electro-hydraulic actuators in addition to the above-mentioned electric actuators. 2. See "Appendix" for the principle, wiring diagram and technical parameters of the actuator. 3. This word can be manufactured according to user requirements (when non-horizontal installation, please indicate the angle in the contract). 4. The quality of the whole machine is the quality of the valve body + the quality of the actuator. 5. Please note the required accessories in the contract (manipulator, amplifier, control box, electromagnetic word, air filter and pressure reducer).

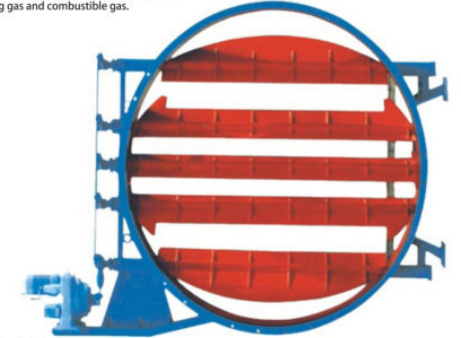
结构特点及用途/Structural features and uses:

本阀又称风机启动调节阀，本阀可与各种执行机构配套组合使用，具有叶片多，噪声小、重量轻，操作力矩小，流通能力大，操作维护方便，价格便宜，特别适用于大口径，大流量低压差场合（如风机进出口处）。广泛适用于冶金、矿山、建材、化工、电站等行业的通风除尘、供气管道上，对空气、烟气、含粉尘气体、可燃性气体进行启闭和调节。

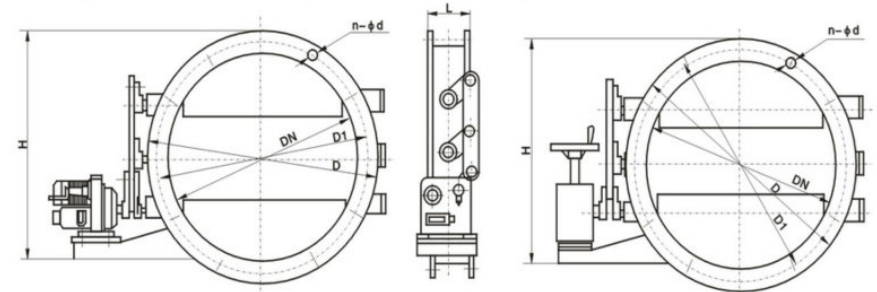
This valve is also known as fan start regulating valve. This valve can be used in combination with various actuators. It has many blades, low noise, light weight, small operating torque, large flow capacity, convenient operation and maintenance, and low price. It is especially suitable for Large diameter, large flow and low pressure difference (such as the inlet and outlet of the fan). It is widely used in ventilation and dust removal and gas supply pipelines in metallurgy, mining, building materials, chemical industry, power stations and other industries to open and close and adjust air, flue gas, dust-containing gas and combustible gas.

主要性能/Main performance

- 公称压力: 0.05MPa
- 适用温度: -20~300°C
- 泄漏率: 普通型≤3% 低泄漏率: ≤1%
- 适用介质: 空气、烟气、含粉尘气体、可燃性气体
- 电源电压: 220V或380V.AC
- Nominal pressure: 0.05mpa
- Applicable temperature: -20~300°C
- Leakage rate: normal type ≤ 3% low leakage rate ≤ 1%
- Applicable medium: air, flue gas, dust gas, combustible gas
- Power supply voltage: 220V or 380V.AC

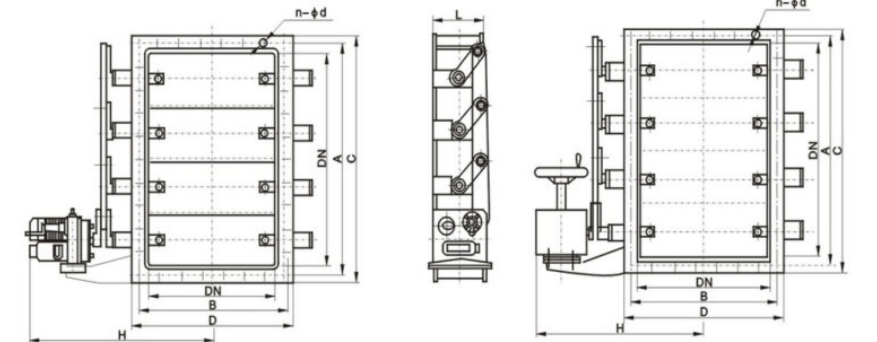


型号编制说明: 见附录一型号编制说明 格式2  
Model specification: see Appendix I Model specification format 2



DBD型电动多叶蝶阀  
DBD electric multi-leaf butterfly valve

SBD型手动多叶蝶阀  
SBD manual multi-leaf butterfly valve



FBD型电动多叶蝶阀  
FBD electric multi-leaf butterfly valve

FSBD型手动多叶蝶阀  
FSBD manual multi-leaf butterfly valve

外形及连接尺寸表(风机专用) /Outline and connection dimension table(Special for fan):

DN×DN	C×D	A×B	L	N-φd	风机	机号	H	FDBD-0.5	FSBD-0.5
128×92	180×148	160×126	160	14-φ7	9-19	No. 4	462	DKJ-210	S-01
144×104	198×160	176×135				No. 4.5	468		
160×115	214×171	192×150				No. 5	476		
179×129	233×185	212×162				No. 5.6	490		
202×145	256×204	236×180				No. 6.3	480		
196×128	250×134	228×165				No. 4	484		
221×144	275×200	252×177		No. 4.5	495				
245×160	299×216	284×192		18-φ7	9-26	No. 5	585		
174×179	328×235	305×212				No. 5.6	518		
309×202	365×261	340×236				No. 6.3	504		
227×163	293×232	270×204				No. 7.1	514		
256×184	322×253	296×228				No. 8	526		
288×207	354×276	330×252	No. 9			537			
320×230	386×299	360×276	18-φ10	9-19	No. 10	563			
359×258	448×350	415×316			No. 11.2	570			
400×288	489×380	456×344			No. 12.5	604			
448×322	557×448	516×405			No. 14	620			
512×368	621×464	574×440			No. 16	628			
348×227	414×296	390×272			20-φ10	9-26	No. 7.1	528	
392×256	458×325	432×300	No. 8	543					
441×288	507×357	482×330	No. 9	550					
490×320	556×389	528×356	No. 10	575					
540×358	638×450	600×410	No. 11.2	605					
613×400	702×492	604×456	No. 12.5	626					
686×448	795×564	747×516	26-φ12	9-26	No. 14	662			
784×512	893×628	840×588			No. 16	759			
256×199	314×254	290×231			14-φ7	Y5-48	No. 4	514	
324×252	382×308	360×284					No. 5	534	
409×315	466×371	443×348					No. 6.3	566	
520×400	632×509	580×462					No. 8	635	
655×504	771×613	728×570	No. 10	687					
815×627	935×737	888×690	No. 12.5	814					
228×196	277×250	256×228	16-φ7	4-72	No. 2.8	511			
256×224	300×278	288×256			No. 3.2	528			
288×252	341×306	320×284			No. 3.6	532			
320×280	374×336	355×315			No. 4	554			
360×315	414×371	396×350			No. 4.5	566			
400×350	456×406	435×385			No. 5	529			

注:  
1、本阀与上述配电动执行器组合外,还可与其它电动、气动、液动、电液动执行器组合使用。2、有关执行器原理、接线图、技术参数见“附录”。3、本阀可按用户要求制造(非水平安装时,请注明夹角)。4、需附件请在合同中注明(如何放大器、电动操作器、控制箱、始点位置开关)。5、订货时请注明:产品名称、型号、规格、输入信号、泄漏率。

Note:  
1. This valve can be used in combination with other electric, pneumatic, hydraulic and electro-hydraulic actuators in addition to the above-mentioned electric actuators. 2. See "Appendix" for the principle, wiring diagram and technical parameters of the actuator. 3. The valve can be manufactured according to user requirements (please indicate the included angle when it is not installed horizontally). 4. Please note in the contract if you need accessories (such as servo amplifier, electric operator, control box, start position switch). 5. Please specify when ordering: product name, model, specification, input signal, leak rate.

DN×DN	C×D	A×B	L	N-φd	风机型号	机号	H	FDBD-0.5	FSBD-0.5		
480×420	511×455	536×476	180	24-φ7	4-72	No. 6	618	DKJ-310	S-02		
640×560	700×625	746×669	200	20-φ15		No. 8	715				
800×700	860×765	900×809	220	20-φ15		No. 10	785				
960×840	1008×900	1066×949	240	22-φ15		No. 12	919				
1280×1120	1340×1188	1380×1232	260	38-φ15	Y4-73	No. 14	1056	DKJ-510	S-04		
1600×1400	1672×1476	1735×1558	320	40-φ15		No. 16	1329				
720×520	777×580	826×629	220	24-φ15		No. 8	760			DKJ-410	S-03
810×586	868×650	916×694	220			No. 9	810				
900×650	959×710	1006×759	240		No. 10	836					
990×713	1048×780	1069×724	260		No. 11	862					
1080×780	1144×846	1186×887		320	No. 12	911					
1260×910	1336×990	1389×1042			32-φ10	No. 14	963				
1540×1010	1312×1120	1569×1172				420	No. 16	994			
1620×910	1110×1260	1779×1338	36-φ15				No. 18	1156			
1800×1300	1890×1386	1959×1462		450			No. 20	1253			
1980×1430	2070×1560	2139×1596			48-φ15		No. 22	1385			
2250×1625	2376×1759	2459×1841				No. 25	1581				
2520×1805	2660×1905	2732×2030	No. 28				1718				

DBD、SBD-0.5电(手)动多叶蝶阀外形及连接尺寸表(风机专用)  
DBD, SBD-0.5 electric (manual) multi-leaf butterfly valve shape and connection size table (for fans)

DN	D <sub>1</sub>	D	L	N-φd	风机型号	H	DBD-0.5	SBD-0.5
280	306	324	160	8-φ10	4-72	524	DKJ-210	S-01
300	350	367	180	16-φ7		567		
360	394	416		16-φ7		616		
450	490	512		16-φ10		712		
500	550	572		200	8-φ7	772		
600	650	676	876					
180	205	230	435					
200	225	250	455					
224	254	284	160	8-φ10	462			
250	281	310			498			
280	320	360			523			
315	355	395			600			
355	395	435	180	8-φ12	640			
400	450	500			705			
450	500	550			750			
500	560	620			820			
560	620	680	200	12-φ12	900			
630	690	750			950			
710	770	830			1030			
800	860	920			220	16-φ12	1120	
900	970	1040	1240					
1000	1065	1110	260	20-φ15			1310	
1100	1170	1220					1420	
1120	1190	1250			280	24-φ15	450	
1200	1270	1330					1530	
1400	1420	1520	1720					
1600	1660	1700	320	28-φ15			1900	
1800	1860	1900			Y5-48	G4-73-11	2100	
2000	2070	2140					Y4-73-11	2240
2200	2260	2300						2500
2500	2560	2600	2800					
2800	2860	2900	500	36-φ15	3100			

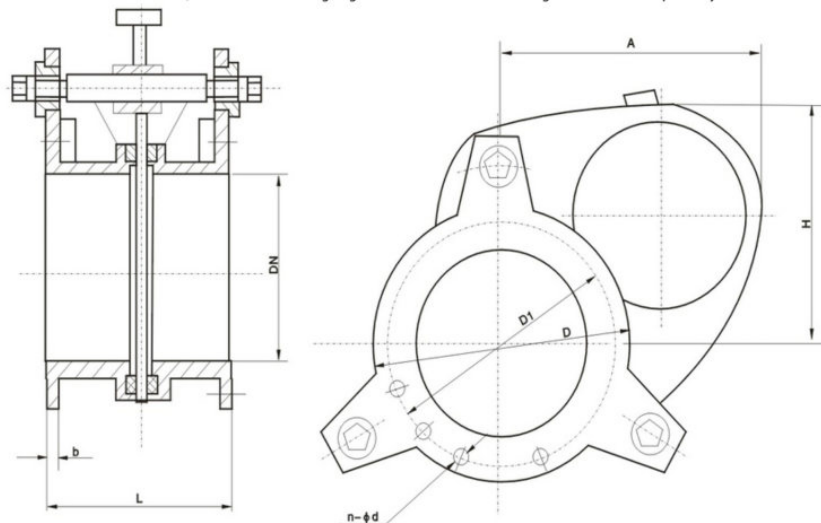
结构特点及用途/Structural features and uses:

F43X型手动扇形盲板阀由左阀体、右阀体、中阀体、连接螺杆（三根）组成。用扳手旋转连接螺杆，使左右阀体完成夹紧和松开动作，利用阀板上盲板和通孔板的位置变换达到启闭目的。具有结构简单，重量轻，性能可靠，操作方便等特点。

本阀为短结构系列，橡胶密封圈分别安装在左、右阀体上。

F43X manual sector blind valve is composed of left valve body, right valve body, middle valve body and connecting screw (three). Rotate the connecting screw with a wrench to make the left and right valve bodies complete the clamping and loosening actions, and use the position change of the blind plate and the desired orifice plate on the valve plate to achieve the purpose of opening and closing. It has the characteristics of simple structure, light weight, reliable performance and convenient operation.

This valve is a short structure series, and the rubber sealing rings are installed on the left and right valve bodies respectively.



外形及连接尺寸表/Outline and connection dimension table:

DN	L	D	D <sub>1</sub>	H	A	b	n-d	重量kg		
								PN0.05MPa	PN0.15MPa	PN0.25MPa
100	210	210	170	230	202	12	4-18	28	30	33
150	210	265	225	260	270	16	8-18	32	35	40
200	230	320	280	310	350	18	8-18	43	45	50
250	250	375	335	330	400	18	12-18	52	56	60
300	270	440	395	350	450	18	12-23	63	70	76
350	290	490	445	380	500	18	12-23	70	76	85
400	310	540	495	405	550	24	16-23	113	124	135
450	330	595	550	430	600	26	16-23	141	140	155
500	350	645	600	750	680	26	16-23	275	300	330
600	390	755	705	830	840	28	20-26	323	350	380
700	430	860	810	880	1050	28	24-26	380	410	450
800	470	975	920	900	1150	28	24-30	595	645	710
900	470	1075	1020	1000	1300	28	24-30	730	800	880
1000	470	1175	1120	1100	1450	28	28-30	900	980	1080
1200	510	1375	1320	1300	1550	28	32-30	1110	1200	1320
1400	510	1575	1520	1530	1700	30	36-30	1480	1650	1800

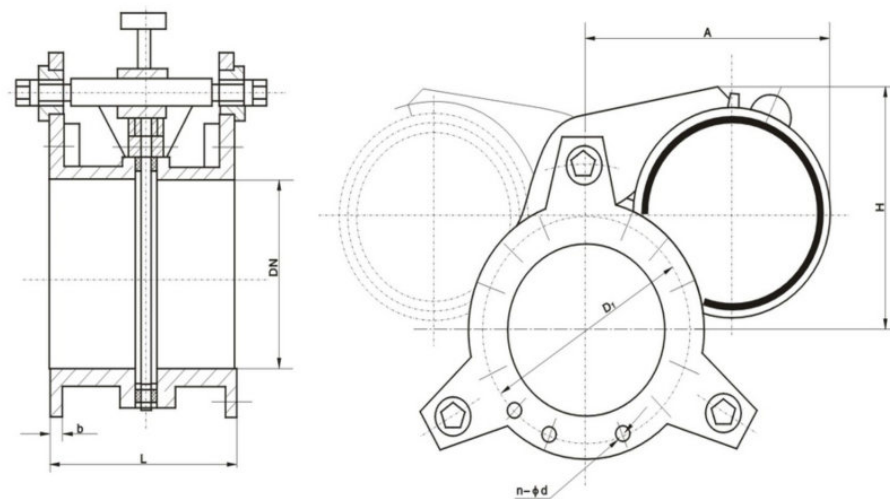
结构特点及用途/Structural features and uses:

F43AX型手动扇形盲板阀由左阀体、右阀体、中阀体、连接轴（三根）组成。用扳手旋转连接轴螺旋付驱动左右阀体完成夹紧和松开动作，利用阀板上盲孔板和通孔板的位置变换达到启闭目的。

本阀为短结构系列，橡胶密封圈安装在阀板上，可以方便地更换密封胶圈。

F43AX manual sector blind valve is composed of left valve body, right valve body, middle valve body and connecting shaft (three). Use the wrench to rotate the connecting shaft screw pair to drive the left and right valve bodies to complete the clamping and loosening actions, and use the position change of the blind hole plate and the through hole plate on the valve plate to achieve the purpose of opening and closing.

This valve is a short structure series, the rubber sealing ring is installed on the valve plate, and the sealing rubber ring can be easily replaced.



外形及连接尺寸表/Outline and connection dimension table:

DN	L	D	D <sub>1</sub>	H	A	b	n-φd	重量kg		
								PN0.05MPa	PN0.15MPa	PN0.25MPa
100	210	210	170	230	202	14	4-φ18	20	22	25
150	210	265	225	260	270	18	8-φ18	25	27	30
200	230	320	280	310	350	18	8-φ18	45	50	55
250	250	375	335	330	400	18	12-φ18	74	80	88
300	270	440	395	350	450	18	12-φ22	135	145	160
350	290	490	445	380	500	18	12-φ22	165	180	195
400	310	540	495	405	550	24	16-φ22	210	230	250
450	330	595	550	430	600	26	16-φ22	260	280	300
500	350	645	600	750	680	26	20-φ22	310	340	375
600	390	755	705	830	840	28	20-φ26	400	440	485
700	430	860	810	880	1050	28	24-φ26	510	560	610
800	470	975	920	900	1150	28	24-φ30	620	680	745
900	470	1075	1020	1100	1300	28	24-φ30	760	835	915
1000	470	1175	1120	1300	1450	28	28-φ30	940	1030	1130
1200	510	1375	1320	1400	1550	28	32-φ30	1150	1300	1400
1400	510	1575	1520	1550	1700	30	36-φ30	1550	1700	1850

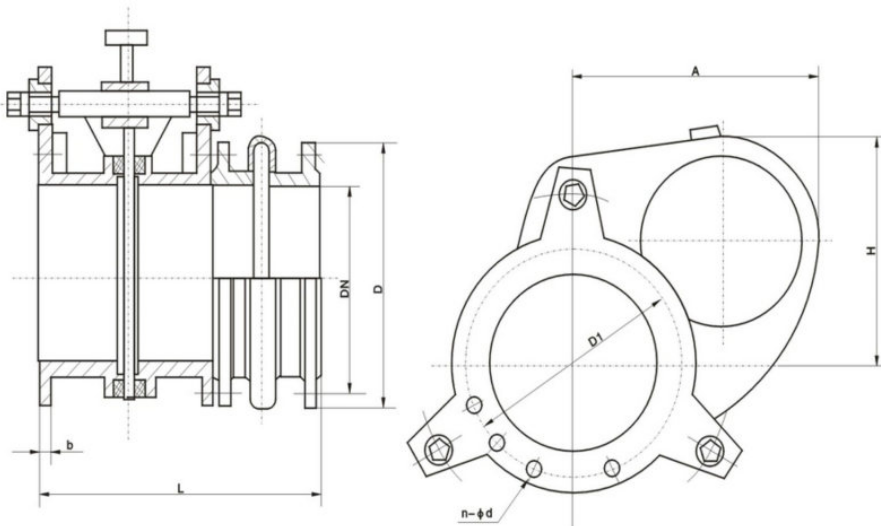
结构特点及用途/Structural features and uses:

F43BX型手动扇形盲板阀为长结构系列，阀体上没有伸缩器，可以补偿阀门启闭过程中产生的阀体轴向位移。该系列盲板阀橡胶密封圈分别安装在左、右阀体上。

DN900-1400盲板阀阀体采用三角形结构，有较强的整体刚性。

F43BX manual sector blind valve is a long structure series, there is no retractor on the valve body, which can compensate the axial displacement of the valve body during the valve opening and closing process. This series of blind valve rubber sealing rings are respectively installed on the left and right valve bodies.

DN900-1400 blind valve body adopts triangular structure, which has strong overall rigidity.



外形及连接尺寸表/Outline and connection dimension table:

DN	L	D	D <sub>1</sub>	H	A	b	n-φ	重量kg		
								PN0.05MPa	PN0.15MPa	PN0.25MPa
200	500	320	280	310	350	18	8-φ18	72	80	90
250	500	375	335	330	400	18	12-φ18	90	96	105
300	500	440	395	350	450	18	12-φ22	150	165	180
350	600	490	445	380	500	18	12-φ22	180	196	215
400	600	540	495	405	550	24	16-φ22	210	230	250
450	600	595	550	430	600	26	16-φ22	280	305	335
500	600	645	600	750	680	26	20-φ22	320	350	385
600	600	755	705	830	840	28	20-φ26	420	460	500
700	630	860	810	880	1050	28	24-φ26	510	560	610
800	630	975	920	900	1150	28	24-φ30	610	670	730
900	630	1075	1020	1100	1300	26	24-φ30	750	820	900
1000	630	1175	1120	1300	1450	26	28-φ30	920	1010	1110
1200	630	1375	1320	1400	1550	26	32-φ30	1130	1250	1400
1300	630	1475	1420	1480	1650	30	32-φ30	1300	1400	1500
1400	750	1575	1520	1550	1700	30	36-φ30	1550	1700	1850

结构特点及用途/Structural features and uses:

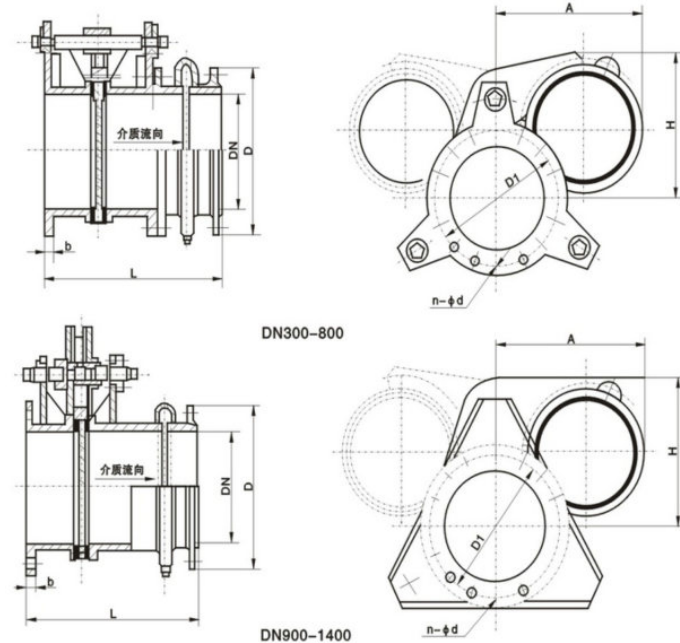
本阀DN300-800型手动扇形盲板阀为长结构系列，本阀在右阀体上设有伸缩器，一般用于较长管路中。

本阀的伸缩器可以补偿阀门启闭时阀体的轴向位移，减小阀门的启闭力矩（注：不能做为管路的补偿器）。

本阀DN900-1400型手动扇形盲板阀为长结构系列。本阀设有伸缩器，用于较长管路中（注：不能做为管路的补偿器）。根据大口径阀门的特点，阀体设计成三角形结构，加强了阀门的整体刚性。

The valve DN300-800 manual fan-shaped blind plate valve is a long structure series. This valve has a retractor on the right valve body, which is generally used in long pipelines. The expansion joint of this valve can compensate the axial displacement of the valve body when the valve is opened and closed, and reduce the opening and closing torque of the valve (note: it cannot be used as a compensator for the pipeline).

The valve DN900-1400 manual sector blind valve is a long structure series. This valve is equipped with a retractor, which is used in long pipelines (note: it cannot be used as a compensator for pipelines). According to the characteristics of large-diameter valves, the valve body is designed into a triangular structure, which strengthens the overall rigidity of the valve.



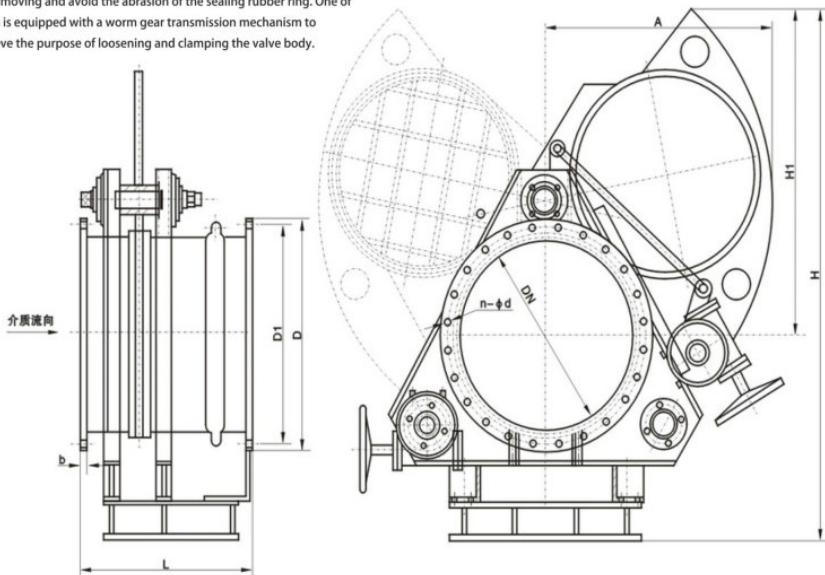
外形及连接尺寸表/Outline and connection dimension table:

DN	L	D	D <sub>1</sub>	H	A	b	n-φ	重量 (kg)		
								PN0.05	PN0.15	PN0.25
200	500	320	280	310	350	18	8-φ18	75	85	90
250	500	375	335	330	400	18	12-φ18	95	100	105
300	500	440	395	350	450	18	12-φ22	160	176	190
350	500	490	445	380	500	18	12-φ22	200	220	240
400	600	540	495	405	550	24	16-φ22	240	245	270
450	600	595	550	430	600	26	16-φ22	310	340	400
500	600	645	600	750	680	26	20-φ22	350	385	420
600	600	755	705	830	840	28	20-φ26	450	495	440
700	630	860	810	880	1050	28	24-φ26	540	590	640
800	630	975	920	900	1150	28	24-φ30	650	710	770
900	630	1075	1020	1100	1300	26	24-φ30	880	970	1050
1000	630	1175	1120	1300	1450	26	28-φ30	980	1075	1096
1200	630	1375	1320	1400	1550	26	32-φ30	1220	1340	1460
1300	630	1475	1420	1500	1600	30	32-φ30	1440	1184	1720
1400	750	1575	1520	1550	1700	30	36-φ30	1750	1825	2000

### 结构特点及用途/Structural features and uses:

该阀门由左阀体、中阀体、右阀体、扇形盲板、丝杠螺母付、不锈钢补偿器、两个蜗轮转动机构等组成。它是通过三根丝杠连成一体，并把三个阀体分别固定在底座上，构成一个刚性结构体。中阀体与右阀体用不锈钢膨胀管联接，左、中阀体分别用三根两端带左右梯形螺纹的丝杠联接，将三根丝杠同时作正向（或反向）旋转，则左、中两阀体得到压紧（或分离）。三根丝杠中上面一根丝杠中间装有盲板，盲板绕该轴心旋转。下面两根丝杠在同样的部位上安装有盲板的定位块，盲板旋转时可以防止盲板漂移，避免密封胶圈擦伤。其中一根上装有蜗轮传动机构，实现松开夹紧阀体的目的。

The valve consists of a left valve body, a middle valve body, a right valve body, a fan-shaped blind plate, a screw nut pair, a stainless steel compensator, and two worm gear rotating mechanisms. It is integrated by three screw rods, and the three valve bodies are respectively fixed on the base to form a rigid structure. The middle valve body and the right valve body are connected by a stainless steel expansion pipe, and the left and middle valve bodies are connected by three screw rods with left and right trapezoidal threads at both ends. The two valve bodies are compressed (or separated). A blind plate is installed in the middle of the upper one of the three lead screws, and the blind plate rotates around the axis. The positioning block of the blind plate is installed on the same part of the following two lead screws. When the blind plate rotates, it can prevent the blind plate from moving and avoid the abrasion of the sealing rubber ring. One of them is equipped with a worm gear transmission mechanism to achieve the purpose of loosening and clamping the valve body.



外形及连接尺寸表/Outline and connection dimension table:

DN	L	D	D <sub>1</sub>	H	H <sub>1</sub>	A	b	N-φd	重量 (kg)		
									PN0.05	PN0.15	PN0.25
300	500	440	395	1200	380	480	22	12-22	240	265	290
350	500	490	445	1300	420	520	22	12-22	310	340	370
400	600	540	495	1400	560	580	22	16-22	350	385	410
450	600	595	550	1400	560	650	24	16-22	450	495	535
500	600	645	600	1480	600	800	24	16-22	540	590	640
600	600	755	705	1600	760	1000	24	20-26	650	710	780
700	600	860	810	1680	880	1050	26	24-26	820	900	980
800	800	975	920	1860	1125	1129	26	24-30	1500	1650	1750
900	800	1075	1020	2055	1270	1242	28	24-30	1800	1980	2180
1000	800	1175	1120	2240	1400	1375	30	28-30	2100	2300	2500
1100	800	1275	1220	2425	1535	1510	30	28-30	2300	2500	2750
1200	800	1375	1320	2620	1680	1625	30	32-30	2600	2850	3100
1300	800	1475	1420	2760	1770	1749	30	32-30	3000	3300	3600
1400	850	1575	1520	2960	1925	1856	32	36-30	4170	4550	4950
1500	850	1690	1630	3105	2050	1976	32	36-30	4400	4800	5250
1600	850	1790	1730	3300	2160	2093	32	40-30	4750	5100	5600
1800	1100	1990	1930	3610	2370	2335	32	44-30	5750	6220	6800
2000	1100	2190	2130	3960	2620	2570	32	46-30	6750	7350	8000

### 结构特点及用途/Structural features and uses:

自动扇形盲板阀系列是我公司在F43CX型扇形盲板阀的基础上，根据该阀的工作特性进行改进和优化设计而推出的一种新型的可以远距离操作和自动控制的隔断设备。

本系列自动扇形盲板阀有气动、液动、电动液动四种驱动方式并根据不同规格采用不同的结构形式。以适应用户的能源条件、环境条件和工况条件的要求。

本系列自动扇形盲板阀以其优越的性能为冶金、化工、环境保护等行业的有毒、有害、易燃气体管路实现自动化控制提供了一种安全、可靠的隔断设备。

本阀连接法兰尺寸符合GB2555-81PN2.5标准；检测方法符合GB/T13927-92标准。

The automatic fan-shaped blind valve series is a new type of isolation equipment that can be operated remotely and automatically controlled by our company on the basis of the F43CX fan-shaped blind valve, and according to the working characteristics of the valve to improve and optimize the design.

This series of automatic fan-shaped blind valve has four driving modes: pneumatic, hydraulic and electro-hydraulic, and adopts different structural forms according to different specifications. In order to meet the requirements of the user's energy conditions, environmental conditions and working conditions.

This series of automatic fan-shaped blind valve provides a safe and reliable isolation equipment for the automatic control of toxic, harmful and flammable gas pipelines in metallurgy, chemical industry, environmental protection and other industries with its superior performance.

The size of the valve connecting flange conforms to the GB2555-81PN2.5 standard; the detection method conforms to the GB/T13927-92 standard.

### 主要性能/Main performance:

Nominal MPa	0.05	0.10	0.15	0.25
Seal test MPa	0.055	0.11	0.165	0.275
Strength test MPa	0.075	0.15	0.225	0.375
Drive source	Compressed air 0.4-0.6MPa		Oil pressure 6.3MPa	3相380V50HZ
Operating temperature	-20-100°C		-20-200°C	-20-300°C
Applicable media	Gas and other toxic, harmful and flammable gases			
Opening and closing time	≤60			

### 主要零件材料/Main part material:

Name	Valve body, Valve plate	Lead screw	Screw nut	Retractor	Sealing ring
Material	Carbon steel	Alloy steel	Manganese copper alloy, Ductile iron	Stainless steel	Fluorine rubber, silicone rubber, nitrile rubber

### 订购选货须知/Order selection instructions:

1. 请注明名称、型号、规格、温度和附件（标准件、法兰、液压站、控制箱、气控装置）
2. 扇形盲板阀型号及温度标注方法：F643X-0.5PXX或F743X-0.5PXX。工作温度120°C，标注P12；工作温度250°C，标注P25；工作温度300°C，标注P30。
3. 气动、液动扇形盲板阀均备有手动和自动两种超纵方式。选用时请注明。
4. 扇形盲板阀中的伸缩器不能代替管路膨胀器。管道由于热胀冷缩等因素产生的外力，不得传导至本阀上，以防止对阀门产生推拉、扭曲、影响阀门的工作性能。

1. Please indicate the name, model, specification, temperature and accessories (standard parts, flange, hydraulic station, control box, air control device)
2. Sector blind valve model and temperature marking method: F643X-0.5PXX or F743X-0.5PXX. If the working temperature is 120°C, mark P12; if the working temperature is 250°C, mark it with P25; if the working temperature is 300°C, mark it with P30.
3. Both pneumatic and hydraulic fan-shaped blind valve are available with manual and automatic super-vertical modes. Please specify when selecting.
4. The expander in the fan-shaped blind valve cannot replace the pipeline expander. The external force generated by the pipeline due to factors such as thermal expansion and cold contraction shall not be transmitted to the valve, so as to prevent the valve from being pushed, pulled, twisted and affecting the working performance of the valve.

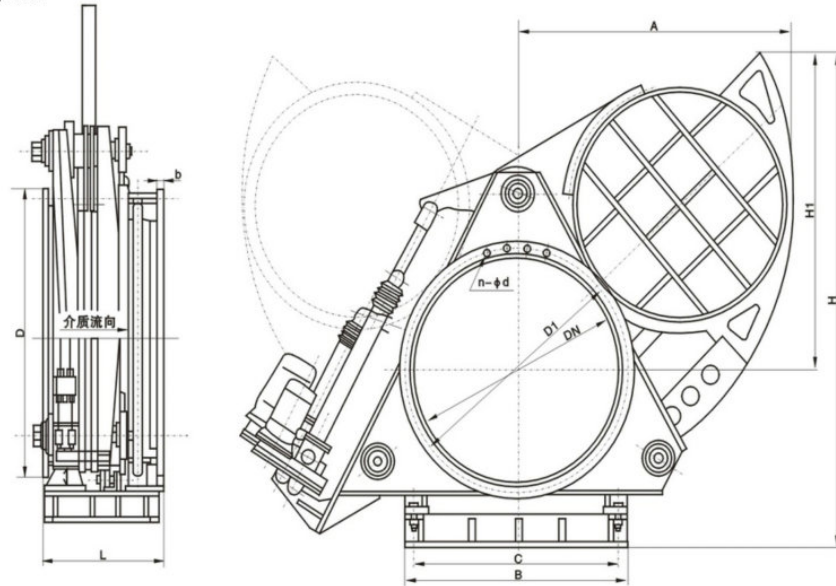
结构特点及用途/Structural features and uses:

电动扇形盲板阀主要由左阀体、右阀体、丝杆副、翻板、密封圈、杠杆、电动推杆等零件组成，并由底座，支撑柱构成一个刚性结构体。阀门中设有夹紧推杆和翻板推杆，夹紧推杆通过杠杆副和丝杆螺旋副驱动左右阀体完成松开、夹紧动作，翻板油缸驱动翻板完成开关动作。橡胶密封圈镶嵌在翻板上，具有耐高温、密封性能好、更换方便、使用寿命长等特点。

本阀可以单台远距离控制，亦可多台联网远距离控制。非正常情况下还可以利用阀门本身装置手动操作。

The electric fan-shaped blind plate pavilion is mainly composed of the left valve body, the right wide body, the screw pair, the flap, the sealing ring, the lever, the electric push rod and other parts, and is composed of a base and a supporting column to form a rigid structure. The valve is provided with a clamping push rod and a flap push rod. The clamping push rod drives the left and right valve bodies to complete the loosening and clamping actions through the lever pair and the screw screw pair, and the flap oil rainbow hard moving plate completes the switching action. The rubber sealing circle is inlaid on the subject board, which has the characteristics of high temperature resistance, good sealing performance, convenient replacement and long service life.

The valve can be controlled by single and remote control, and can also be controlled by multiple networked remote control. In abnormal circumstances, the wide door itself can also be used for manual operation.



主要外形及连接尺寸表/Main outline and connection dimension table:

DN	L	D	D <sub>1</sub>	H	H <sub>1</sub>	A	B	C	b	n-φd	重量 (kg)		
											PN0.05	PN0.15	PN0.25
300	500	440	395	720	360	480	-	-	18	12-φ22	205	225	250
350	600	490	445	810	380	520	-	-	18	12-φ22	235	255	280
400	600	540	495	850	405	600	-	-	24	16-φ22	286	305	335
450	600	595	550	905	430	658	-	-	24	16-φ22	340	370	400
500	600	645	600	1080	750	712	-	-	26	20-φ22	420	460	500
600	600	755	705	1590	830	874	-	-	26	20-φ26	530	580	630
700	600	860	810	1680	880	970	-	-	26	24-φ26	605	665	730
800	800	975	920	1860	1125	1100	1130	525	35	24-φ30	1500	1650	1750
900	800	1075	1020	2055	1270	1200	120	570	35	24-φ30	1800	1950	2100
1000	800	1175	1120	2240	1400	1320	1320	620	35	28-φ30	2100	2300	2500
1100	800	1275	1220	2425	1535	1510	1420	670	35	28-φ30	2300	2500	2700
1200	800	1375	1320	2620	1680	1625	1490	700	35	32-φ30	2600	2800	3050
1300	800	1475	1420	2760	1770	1749	1490	700	35	32-φ30	3000	3300	3600
1400	850	1575	1520	2960	1925	1856	1490	700	35	36-φ30	4170	4550	4950
1500	850	1690	1630	3105	2050	1976	1590	750	35	36-φ30	4900	5300	5800
1600	850	1790	1730	3300	2160	2093	1690	800	35	40-φ30	5350	5850	6350
1800	1100	1990	1930	3610	2370	2335	1890	900	35	44-φ30	6950	7600	8300
2000	1100	2190	2130	3960	2620	2570	2070	1000	35	46-φ30	8750	9500	10500

结构特点及用途/Structural features and uses:

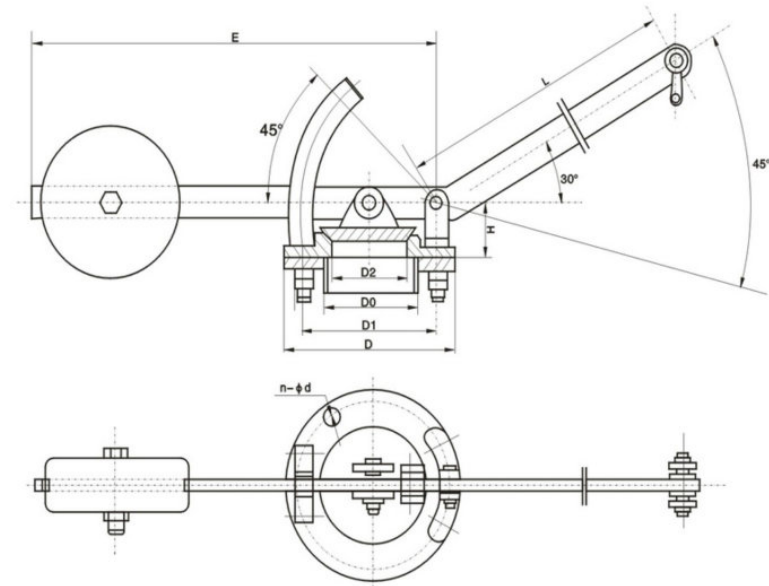
本阀由阀座、锥形、阀盖、阀杆、重锤、限制器等零件组成，阀杆为一杠杆机构，用阀杆的起落实现阀门的启闭，依靠重锤的重力使密封面吻合。因增加了限位调整装置，锥形阀盖重复定位精度高、密封可靠，适用于高炉及热风炉系统的放散系统。

The valve is composed of valve seat, cone, valve cover, valve stem, heavy hammer, limiter and other parts. The valve stem is a lever mechanism. Seal face kiss table. Due to the addition of a limit adjustment device, the conical valve cover has high repeat positioning accuracy and reliable sealing, which is suitable for the discharge system of blast furnace and hot blast stove system.

主要性能/Main performance

公称压力: 0.25MPa  
适用温度: ≤300°C  
开启角度: 45°  
适用介质: 煤气、空气和其它气体  
FS66W型密封面为本体材料, FS66HL型密封面堆焊耐磨合金。

Nominal pressure: 0.25MPa  
Applicable temperature: ≤300°C  
Opening angle: 45°  
Applicable medium: gas, air and other gases  
FS66W type sealing surface is the body material, FS66HL type sealing surface is surfacing wear-resistant alloy.



主要外形及连接尺寸表/Main outline and connection dimension table:

DN	D <sub>0</sub>	D <sub>1</sub>	D <sub>2</sub>	D	H	E	L	n-φd	重量 (kg)	
									0.1MPa	0.25MPa
150	162	280	140	320	160	900	850	8-φ17.5	145	290
200	216	335	190	375	160	1000	850	12-φ17.5	210	380
250	270	395	240	440	170	1100	1000	12-φ22	305	490
300	320	445	290	490	190	1350	1200	12-φ22	400	610
350	372	495	340	540	210	1600	1500	16-φ22	505	820
400	422	550	390	595	230	1800	1700	16-φ22	600	980
450	472	600	440	645	250	2000	1900	20-φ22	735	1050
500	522	655	490	705	270	2250	2100	20-φ26	825	1210
550	572	705	540	755	300	2500	2350	20-φ26	940	1480
600	622	760	590	810	330	2700	2550	20-φ26	1010	1700

结构特点及用途/Structural features and uses:

本阀基本结构与FS65W、HL型相同，密封付系采用外球面与内锥面密封。适用于高炉及热风炉系统的放散系统。

The basic structure of this valve is the same as that of FS65W and HL type, and the sealing gap is sealed by surface and inner cone surface. Dispersion system suitable for blast furnace and hot blast stove system.

主要性能/Main performance

公称压力：0.1MPa、0.25MPa

适用温度：≤300℃

开启角度：45°

适用介质：煤气、空气和其它气体

FS66W型密封面为本身材料，FS66HL型密封面堆焊耐磨合金。

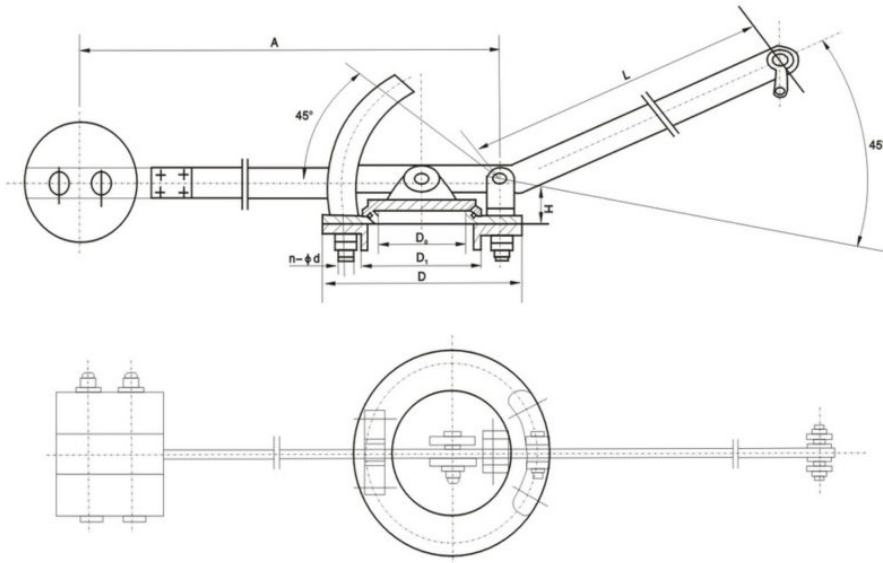
Nominal pressure: 0.1MPa、0.25MPa

Applicable temperature: ≤300℃

Opening angle: 45°

Applicable medium: gas, air and other gases

FS66W type sealing surface is the body material, FS66HL type sealing surface is surfacing wear-resistant alloy.



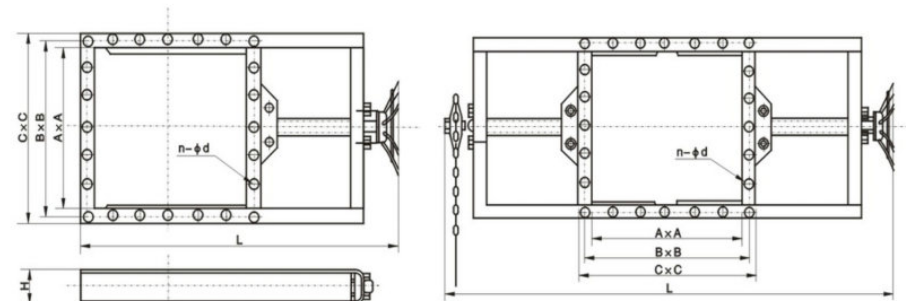
主要外形及连接尺寸表/Main outline and connection dimension table:

DN	D <sub>0</sub>	D <sub>1</sub>	D <sub>2</sub>	D	H	E	L	n-φd	重量 (kg)	
									0.1MPa	0.25MPa
150	162	280	140	320	160	900	850	8-17.5	165	310
200	216	335	190	375	160	1000	850	12-17.5	230	390
250	270	395	240	440	170	1100	1000	12-22	325	500
300	320	445	290	490	190	1350	1200	12-22	420	630
350	372	495	340	540	210	1600	1500	16-22	525	850
400	422	550	390	595	230	1800	1700	16-22	640	1050
450	472	600	440	645	250	2000	1900	20-22	765	1180
500	522	655	490	705	270	2250	2100	20-26	875	1260
550	572	705	540	755	300	2500	2350	20-26	990	1560
600	622	760	590	810	330	2700	2550	20-26	1110	1800

结构特点及用途/Structural features and uses:

本阀结构简单、操纵灵活、重量轻、无卡阻，特别适用于各类固体物料和50mm左右块状、团状物料的输送及流量调节，安装不受角度限制，操作方便，能随时调整开度。本阀是一种粉料、晶粒料、及小块物料的流量或输送量的主要控制设备，广泛使用在冶金、矿山、建材、粮食、化工等行业控制流量变化或迅速切断。

The valve is simple in structure, flexible in operation, light in weight, and free from jamming. It is especially suitable for conveying and regulating flow of various solid materials and bulk and lump materials of about 50 meters. The installation is not limited by the angle, and the operation is convenient. Spend. This valve is a main control equipment for the flow or conveying volume of powder, grain, and small materials. It is widely used in metallurgy, mining, building materials, food, chemical and other industries to control flow changes or cut off quickly.



LMD- I II 型单向螺旋闸门  
LMD- I II type one-way spiral gate

LMS- I II 型双向螺旋闸门  
LMS- I II type two-way spiral gate

主要外形及连接尺寸表/Main outline and connection dimension table:

类别	A x A <sub>1</sub>	B x B <sub>1</sub>	C x C <sub>1</sub>	L	H	n-φd	重量kg
单向	200 x 200	256 x 256	296 x 296	820	100	8-φ12	52
	245 x 655	305 x 715	341 x 751	1620	100	20-φ14	121
	250 x 250	306 x 306	346 x 346	930	100	8-φ14	65
	300 x 300	356 x 356	396 x 396	1050	100	8-φ14	81
	400 x 400	456 x 456	496 x 496	1250	100	12-φ14	114
	450 x 450	510 x 510	556 x 556	1350	120	12-φ18	130
	490 x 490	550 x 550	596 x 596	1440	120	16-φ18	147
	500 x 500	560 x 560	606 x 606	1500	120	16-φ18	153
	600 x 600	660 x 660	706 x 706	1710	120	16-φ18	178
	700 x 700	770 x 770	820 x 820	1940	140	20-φ18	213
	800 x 800	870 x 870	920 x 920	2140	140	20-φ18	257
	900 x 900	974 x 974	1030 x 1030	2410	160	24-φ18	325
980 x 980	1054 x 1054	1110 x 1110	2570	160	24-φ23	392	
1000 x 1000	1074 x 1074	1130 x 1130	2610	160	24-φ18	428	
双向	600 x 600	660 x 660	706 x 706	2010	120	16-φ18	200
	600 x 1000	660 x 1074	706 x 1130	2870	120	20-φ23	290
	700 x 700	770 x 770	820 x 820	2130	140	20-φ18	240
	800 x 800	870 x 870	920 x 920	2240	140	20-φ18	320
	900 x 900	974 x 974	1030 x 1030	2660	160	24-φ23	380
	1000 x 1000	1074 x 1074	1130 x 1130	2870	160	24-φ23	460
	1100 x 1100	1180 x 1180	1240 x 1240	3120	180	28-φ23	500
	1200 x 1200	1280 x 1280	1340 x 1340	3310	180	32-φ23	540
说明	LMD-单向	I-手轮	距地面小于1.7米手轮，大于1.7米用链轮				
	LMS-双向	II-链轮	链条节数M=0.105X-113 (X是丝杆中心离地面高度)				



结构特点及用途/Structural features and uses:

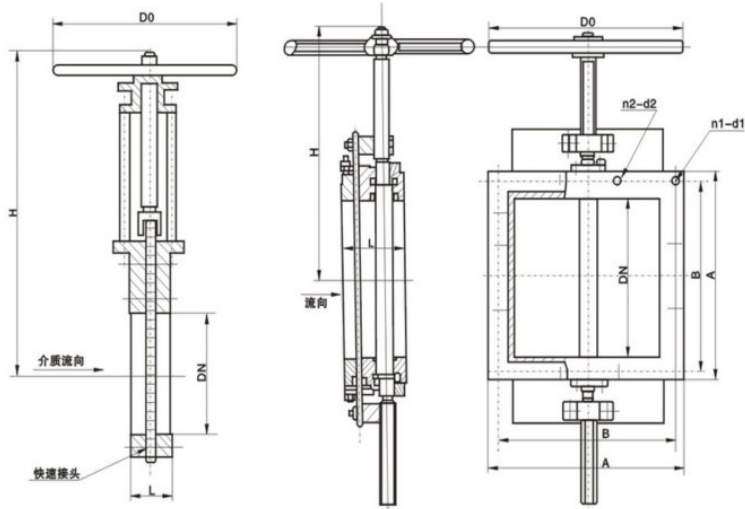
本阀适用于冶金、建材、化工、电站等行业的排灰系统，对管道中流通的灰粉、灰渣和颗粒状物料起截流作用。

This valve is suitable for ash discharge systems in metallurgy, building materials, chemical industry, power station and other industries, and plays a role in intercepting the ash powder, ash slag and granular materials circulating in the pipeline.

主要性能/Main performance

公称压力：0.2MPa  
适用温度：120℃  
适用介质：灰粉、灰渣、颗粒状物料

Nominal pressure: 0.2MPa  
Applicable temperature: 120℃  
Applicable media: ash powder, ash residue, granular materials



LPD型单向启闭排灰阀  
LPD type one-way opening and closing ash discharge valve

LPD型双向启闭排灰阀  
LPD type two-way opening and closing ash discharge valve

主要外形及连接尺寸表/Main outline and connection dimension table:

DN	A	B	LPD单向					LPS双向						
			n <sub>1</sub> -d <sub>1</sub>	n <sub>2</sub> -d <sub>2</sub>	L	H	D0	重量kg	n <sub>1</sub> -d <sub>1</sub>	n <sub>2</sub> -d <sub>2</sub>	L	H	D0	重量kg
150×150	250	210	10-14	2-M12	60	480	360	46	8-14	4-M12	120	335	200	62
200×200	300	260	10-14	2-M12	60	550	360	54	8-14	4-M12	120	355	200	74
250×250	350	310	10-14	2-M12	70	690	400	76	8-14	4-M12	125	448	240	89
300×300	400	360	10-14	2-M12	70	780	400	101	8-14	4-M12	125	495	240	117
350×350	470	420	10-14	2-M12	80	880	400	127	16-14	4-M12	125	545	280	135
400×400	520	480	16-14	4-M12	80	995	500	154	16-14	4-M12	135	595	360	160
450×450	570	530	16-14	4-M12	90	1095	500	198	16-14	4-M12	135	645	360	206
500×500	620	580	16-14	4-M12	90	1200	500	251	16-14	4-M12	135	695	360	262

结构特点及用途/Structural features and uses:

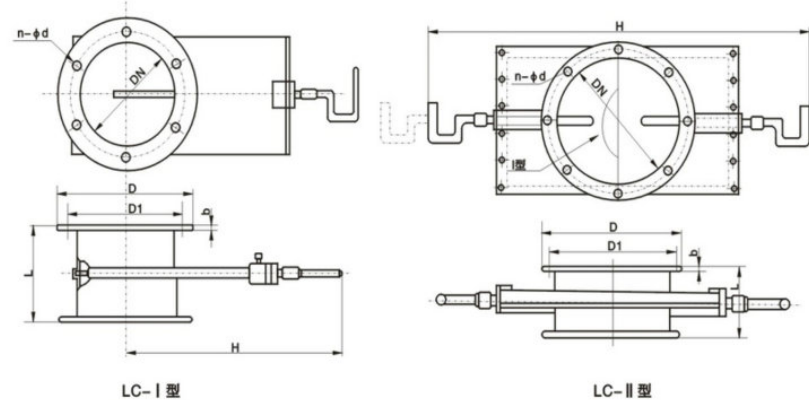
本阀结构简单，操作自如，阀板采用优质碳素钢板、滑动灵活、插抽省力、密封性能良好、局部阻力损失小、维护保养拆装方便、不易变形。本阀分为Ⅰ型和Ⅱ型用于通风除尘、风力输送及排风系统管路上调节流量。Ⅱ型主要用于固体粉料输送的调节流量和切断。

The valve has simple structure, easy operation, high-quality carbon steel plate, flexible sliding, labor-saving insertion, good sealing performance, small local resistance loss, convenient maintenance and disassembly, and not easy to deform. This valve is divided into type I and type II, which are used to adjust the flow on the pipeline of ventilation and dust removal, wind conveying and exhaust system. Type II is mainly used for regulating flow and cutting off solid powder conveying.

主要性能/Main performance

公称压力：0.05MPa  
介质流速：28m/s  
适用温度：≤300℃  
适用介质：Ⅰ型为空气、粉尘、气体Ⅱ型为固体粉料、晶体制料等

Nominal pressure: 0.05MPa  
Medium velocity: 28m/s  
Applicable temperature: < 300℃  
Applicable medium: Type I is air, dust, gas, Type II is solid powder, crystal material, etc.



LC-I型

LC-II型

主要外形及连接尺寸表/Main outline and connection dimension table:

DN	D	D <sub>1</sub>	b	H	L	n-φd	重量kg	DN	D	D <sub>1</sub>	b	H	L	N-φd	重量kg
80	150	120		240			36	240	310	280		465			291
90	160	130		250			60	250	320	290		480			310
100	170	140		270	80	4-φ10	98	260	330	300		495	120	8-φ10	340
110	180	150		285			110	280	350	320		510			360
120	190	160		300			127	300	380	345	8	525			380
130	200	170		315			140	320	400	365		540			400
140	210	180		330			150	340	420	385		555			420
150	220	190		345			167	360	440	405		1040	140		450
160	230	200		360			175	380	460	425		1070		8-φ10	490
170	240	210		375			195	400	480	445		1110			550
180	250	220		380			210	420	500	465		1140			590
190	260	230		405			225	450	530	495		1210			630
200	270	240		420			236	480	560	525	10	1270			660
210	280	250		435			248	500	580	545		1310			690
220	290	260		450			262	530	610	575		1370		12-φ12	720
230	300	270		460			280	560	640	605		1400			750